



Cutout: 75mm 85mm
 Power: 10W 15W
 Page: p2 [L01042](#)



Cutout: 75mm 85mm
 Power: 10W 15W
 Page: p5 [L01039](#)



Cutout: 75mm 85mm
 Power: 10W 15W
 Page: p7 [L01043](#)



Cutout: 75mm 85mm
 Power: 10W 15W
 Page: p9 [L01054](#)



Cutout: 70mm 80mm
 Power: 10W 15W
 Page: p11 [L01044](#)



Cutout: 75mm 85mm
 Power: 10W 15W
 Page: p13 [L01040](#)



Cutout: 70mm 80mm
 Power: 10W 15W
 Page: p15 [L01053](#)



Cutout: 70mm 80mm
 Power: 10W 15W
 Page: p17 [L01041](#)



Cutout: 75mm 85mm
 Power: 10W 20W
 Page: p19 [L06084](#)



Cutout: 85mm
 Power: 10W
 Page: p21 [L06083](#)



Cutout: 75mm
 Power: 10W
 Page: p23 [L06086](#)



Cutout: 75mm
 Power: 10W
 Page: p25 [L06087](#)



Cutout: 75mm
 Power: 10W
 Page: p27 [L05068](#)



Cutout: 75mm
 Power: 10W
 Page: p29 [L11808](#)



Cutout: 83mm
 Power: 10W
 Page: p30 [L11810](#)



Cutout: 83mm
 Power: 10W
 Page: p31 [L11809](#)



Cutout: 70mm
 Power: 7W
 Page: p32 [L11807](#)



Cutout: 83mm
 Power: 10W
 Page: p33 [L11811](#)



Cutout: 3" 4" 6" 8"
 Power: 7W - 43W
 Page: p34 [L11812](#)



Code: L01042

Technical description

Recessed fixture with adjustable mounting ears, for indoor use. Provided with a high color rendering LED, CRI > 90. Visual comfort low glare optic with recessed light source. The fixture uses an extremely reliable and advanced technology heat-sink for high efficiency cooler. Fixture provided with quick connector. New conception passive heat-sink without fan, designed for high performances, material is aluminum, copper printed technology, chiseled, holes design provide cross-ventilation cooling in order to ensure a high-efficiency heat-sink as well as assures life span and high quality to LED light.



Applications

Suitable for general lighting like, for Instance, Home, Public areas, Offices, Hotel, Chain-stores, Jewellery stores, Museums, Restaurant or commercial spaces.

- Europe Standard CE Certificate
- 1275lm
- CRI 90+
- Black,White finishes
- Including LED driver
- High level of visual comfort
- Dimming options: Triac / 0/1-10V / DALI

Installation Ceiling recessed

Light source : CREE branded COB LED

Power input : 15W

Lumens : 1275lm

CRI : CRI > 90

Beam angel : 15° 24° 36°

Colour temp : 3000K, 4000K, 5000K

Protection : IP44

Material: Die-cast aluminum and thermoplastic

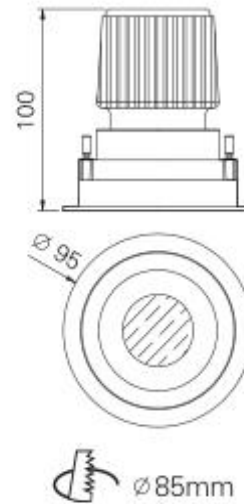
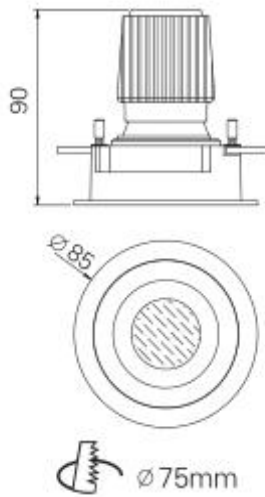
Finishes: Black/White

Weight : 0.55kgs

Input Voltage(V): AC220-240V 50/60Hz

Warranty: 5years

Code: L01042



Code	Watt	Lumens	Size(mm)
L01042 -05	5W	425 lm	D85xH90mm
L01042 -07	7W	595 lm	D85xH90mm
L01042 -10	10W	850 lm	D85xH90mm

Code	Watt	Lumens	Size(mm)
L01042 -10	10W	850 lm	D95xH100mm
L01042 -15	15W	1275 lm	D95xH100mm

Lighting Effects



Beam Angle: 15°

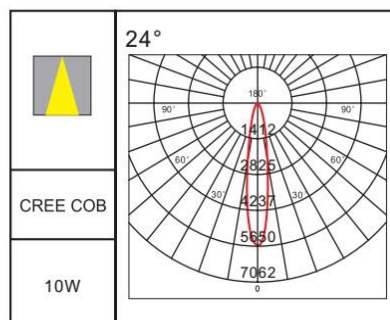
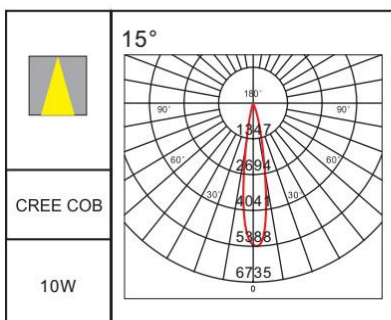


Beam Angle: 24°



Beam Angle: 36°

Technical Data



Code: L01042

Features

Recessed fixture with adjustable mounting ears, for indoor use. Provided with a high color rendering LED, CRI > 90. Visual comfort low glare optic with recessed light source. New conception passive heat-sink without fan, high-efficiency heat-sink assures life span and high quality to LED light.

High-efficiency heat-sink



The new style of heat-sink is highly evaluated in lighting business area because of its small size, light weight, high efficiency cooler system, provide a new means to solve the problem of heat dissipation.

To compare with the traditional die-casting heat-sink, our new style of heat-sink have gradually become the mainstream.

Material is aluminum, copper printed technology and holes design provide cross-ventilation cooling in order to ensure a high-efficiency heat-sink.

Accessories

There are lots of accessories combinations Such as Linear Spread/ Hex Louver/ Prismatic Spread/ Softening Lens can be ordered separately softens the strong delineation of the light.



The accessories allow the features of the lighting produced by the single luminaire to be altered, for highly professional lighting effects.

The combination of filters allows the lamp color features to be changed, to make the most of the objects lit or the space.

The use of screens eliminates possible glare or stray light, guaranteeing a high level of visual comfort.

Supplier





Code: L01039

Technical description

Recessed fixture with adjustable mounting ears, for indoor use. Provided with a high color rendering LED, CRI > 90. Visual comfort low glare optic with recessed light source. The fixture uses an extremely reliable and advanced technology heat-sink for high efficiency cooler. Fixture provided with quick connector. New conception passive heat-sink without fan, designed for high performances, material is aluminum, copper printed technology, chiseled, holes design provide cross-ventilation cooling in order to ensure a high-efficiency heat-sink as well as assures life span and high quality to LED light.



Applications

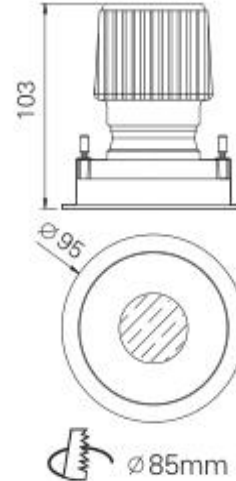
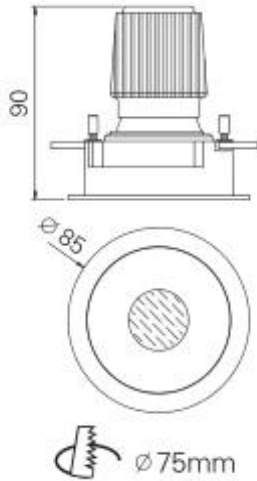
Suitable for general lighting like, for Instance, Home, Public areas, Offices, Hotel, Chain-stores, Jewellery stores, Museums, Restaurant or commercial spaces.

- Europe Standard CE Certificate
- 1245lm
- CRI 90+
- Black,White finishes
- Including LED driver
- High level of visual comfort
- Dimming options: Triac / 0/1-10V / DALI

Installation Ceiling recessed

- Light source :** CREE branded COB LED
- Power input :** 15W
- Lumens :** 1245lm
- CRI :** CRI > 90
- Beam angel :** 15° 24° 36°
- Colour temp :** 3000K, 4000K, 5000K
- Protection :** IP44
- Material:** Die-cast aluminum and thermoplastic
- Finishes:** Black/White
- Weight :** 0.55kgs
- Input Voltage(V):** AC220-240V 50/60Hz
- Warranty:** 5years

Code: L01039



Code	Watt	Lumens	Size(mm)
L01039 -05	5W	425 lm	D85xH90mm
L01039 -07	7W	595 lm	D85xH90mm

Code	Watt	Lumens	Size(mm)
L01039 -10	10W	850 lm	D95xH103mm
L01039 -15	15W	1275 lm	D95xH103mm

Lighting Effects



Beam Angle: 15°

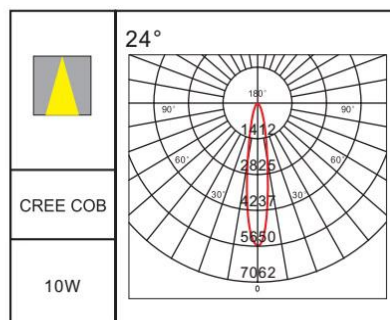
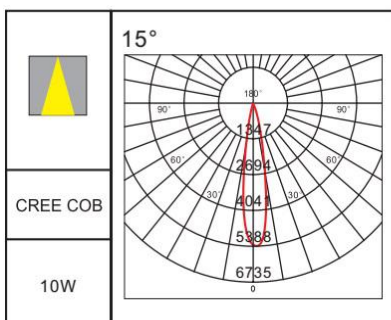


Beam Angle: 24°



Beam Angle: 36°

Technical Data





Code: L01043

Technical description

Recessed fixture with adjustable mounting ears, for indoor use. Provided with a high color rendering LED, CRI > 90. Visual comfort low glare optic with recessed light source. The fixture uses an extremely reliable and advanced technology heat-sink for high efficiency cooler. Fixture provided with quick connector. New conception passive heat-sink without fan, designed for high performances, material is aluminum, copper printed technology, chiseled, holes design provide cross-ventilation cooling in order to ensure a high-efficiency heat-sink as well as assures life span and high quality to LED light.



Applications

Hotel, Chain-stores, Jewellery stores, Museums, School, Restaurant, Shopping mall, Residential or commercial spaces.

- Europe Standard CE Certificate
- 1275lm
- CRI 90+
- Black,White finishes
- Including LED driver
- High level of visual comfort
- Dimming options: Triac / 0/1-10V / DALI

Installation Ceiling recessed

Light source : CREE branded COB LED

Power input : 15W

Lumens : 1275lm

CRI : CRI > 90

Beam angel : 15° 24° 36°

Colour temp : 3000K, 4000K, 5000K

Protection : IP44

Material: Die-cast aluminum and thermoplastic

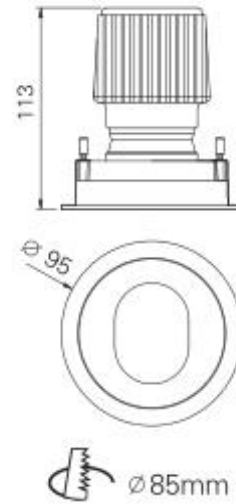
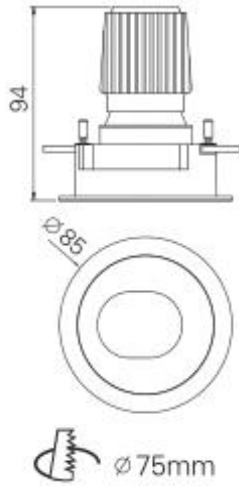
Finishes: Black/White

Weight : 0.55kgs

Input Voltage(V): AC220-240V 50/60Hz

Warranty: 5years

Code: L01043



Code	Watt	Lumens	Size(mm)	Code	Watt	Lumens	Size(mm)
L01043 -05	5W	425 lm	D85xH94mm	L01043 -10	10W	850 lm	D95xH113mm
L01043 -07	7W	595 lm	D85xH94mm	L01039 -15	15W	1275 lm	D95xH113mm

Lighting Effects



Beam Angle: 15°

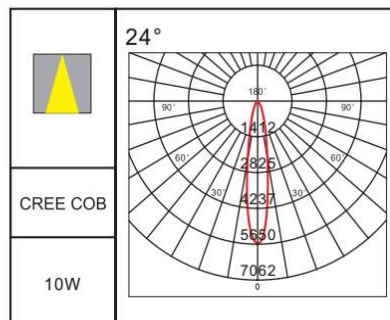
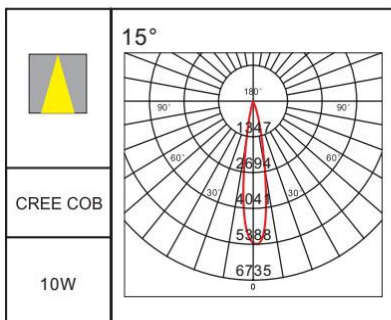


Beam Angle: 24°



Beam Angle: 36°

Technical Data



Code: L01054



Technical description

Recessed fixture with adjustable mounting ears, for indoor use. Provided with a high color rendering LED, CRI > 90. Visual comfort low glare optic with recessed light source. The fixture uses an extremely reliable and advanced technology heat-sink for high efficiency cooler. Fixture provided with quick connector. New conception passive heat-sink without fan, designed for high performances, material is aluminum, copper printed technology, chiseled, holes design provide cross-ventilation cooling in order to ensure a high-efficiency heat-sink as well as assures life span and high quality to LED light.



Applications

Hotel, Chain-stores, Jewellery stores, Museums, School, Restaurant, Shopping mall, Residential or commercial spaces.

- Europe Standard CE Certificate
- 1200lm
- CRI 90+
- Black,White finishes
- Including LED driver
- High level of visual comfort
- Dimming options: Triac / 0/1-10V / DALI

Installation Ceiling recessed

Light source : CREE branded COB LED

Power input : Max15W

Lumens : 1200lm

CRI : CRI > 90

Beam angel : 15° 24° 36°

Colour temp : 3000K, 4000K, 5000K

Protection : IP44

Material: Die-cast aluminum and thermoplastic

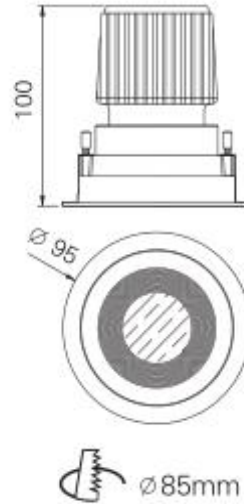
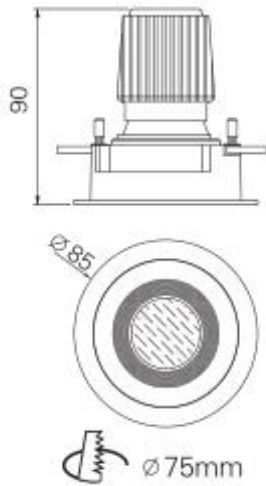
Finishes: Black/White

Weight : 0.55kgs

Input Voltage(V): AC220-240V 50/60Hz

Warranty: 5years

Code: L01054



Code	Watt	Lumens	Size(mm)
L01054 -05	5W	425 lm	D85xH90mm
L01054 -07	7W	595 lm	D85xH90mm
L01054 -10	10W	850 lm	D85xH90mm

Code	Watt	Lumens	Size(mm)
L01054 -10	10W	850 lm	D95xH100mm
L01054 -15	15W	1275 lm	D95xH100mm

Lighting Effects



Beam Angle: 15°

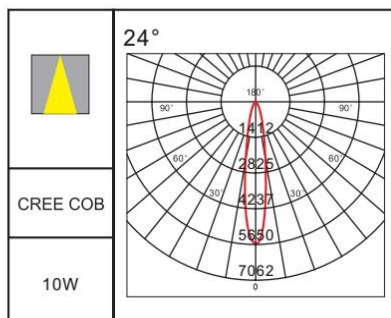
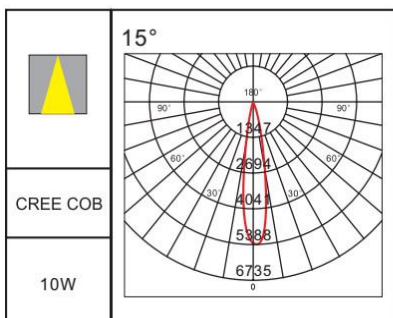


Beam Angle: 24°



Beam Angle: 36°

Technical Data





Code: L01044

Technical description

Recessed fixture with adjustable mounting kit, for indoor use. Provided with a high color rendering LED, CRI > 90. Visual comfort low glare optic with recessed light source. The fixture uses an extremely reliable and advanced technology heat-sink for high efficiency cooler. Fixture provided with quick connector. New conception passive heat-sink without fan, designed for high performances, material is aluminum, copper printed technology, chiseled, holes design provide cross-ventilation cooling in order to ensure a high-efficiency heat-sink as well as assures life span and high quality to LED light.



Applications

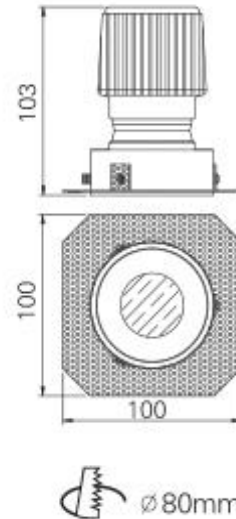
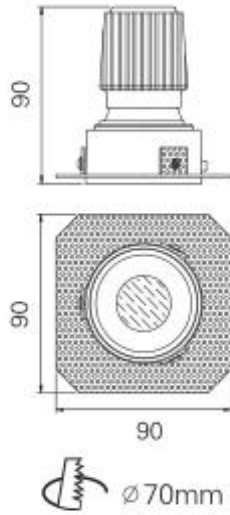
Suitable for general lighting like, for Instance, Home, Public areas, Offices, Hotel, Chain-stores, Jewellery stores, Museums, Restaurant or commercial spaces.

- Europe Standard CE Certificate
- 1125lm
- CRI 90+
- Black,White finishes
- Including LED driver
- High level of visual comfort
- Dimming options: Triac / 0/1-10V / DALI

Installation Ceiling recessed

- Light source :** CREE branded COB LED
- Power input :** 15W
- Lumens :** 1125lm
- CRI :** CRI > 90
- Beam angel :** 15° 24° 36°
- Colour temp :** 3000K, 4000K, 5000K
- Protection :** IP44
- Material:** Die-cast aluminum and thermoplastic
- Finishes:** Black/White
- Weight :** 0.55kgs
- Input Voltage(V):** AC220-240V 50/60Hz
- Warranty:** 5years

Code: L01044



Code	Watt	Lumens	Size(mm)
L01044 -04	4W	340 lm	D90xH90mm
L01044 -07	7W	595 lm	D90xH90mm

Code	Watt	Lumens	Size(mm)
L01044 -10	10W	850 lm	D100xH103mm
L01044 -15	15W	1275 lm	D100xH103mm

Lighting Effects



Beam Angle: 15°

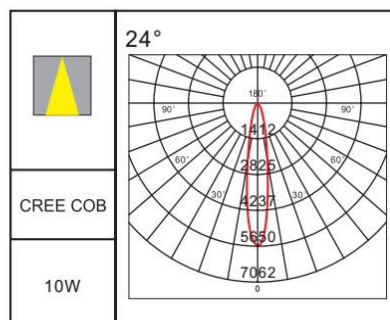
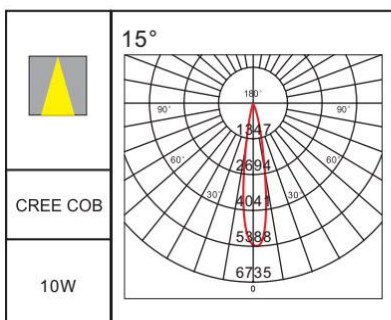


Beam Angle: 24°



Beam Angle: 36°

Technical Data





Code: L01040

Technical description

Recessed fixture with adjustable mounting kit, for indoor use. Provided with a high color rendering LED, CRI > 90. Visual comfort low glare optic with recessed light source. The fixture uses an extremely reliable and advanced technology heat-sink for high efficiency cooler. Fixture provided with quick connector. New conception passive heat-sink without fan, designed for high performances, material is aluminum, copper printed technology, chiseled, holes design provide cross-ventilation cooling in order to ensure a high-efficiency heat-sink as well as assures life span and high quality to LED light.



Applications

Suitable for general lighting like, for Instance, Home, Public areas, Offices, Hotel, Chain-stores, Jewellery stores, Museums, Restaurant or commercial spaces.

- Europe Standard CE Certificate
- 1200lm
- CRI 90+
- Black,White finishes
- Including LED driver
- High level of visual comfort
- Dimming options: Triac / 0/1-10V / DALI

Installation Ceiling recessed

Light source : CREE branded COB LED

Power input : 15W

Lumens : 1200lm

CRI : CRI > 90

Beam angel : 15° 24° 36°

Colour temp : 3000K, 4000K, 5000K

Protection : IP44

Material: Die-cast aluminum and thermoplastic

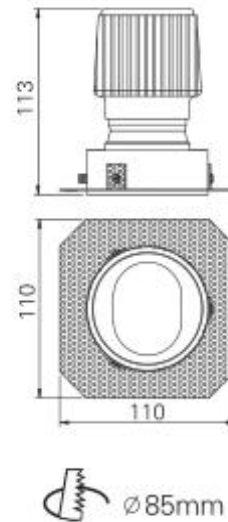
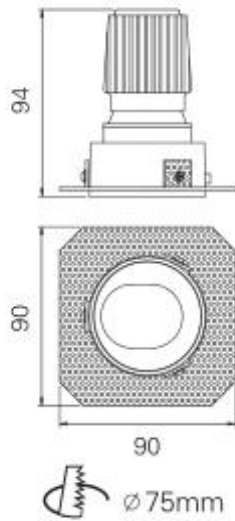
Finishes: Black/White

Weight : 0.55kgs

Input Voltage(V): AC220-240V 50/60Hz

Warranty: 5years

Code: L01040



Code	Watt	Lumens	Size(mm)
L01040 -05	5W	425 lm	D95xH212mm
L01040 -07	7W	595 lm	D95xH212mm
L01040 -10	10W	850 lm	D95xH212mm

Code	Watt	Lumens	Size(mm)
L01040 -10	10W	850 lm	D110xH113mm
L01040 -15	15W	1275 lm	D110xH113mm

Lighting Effects



Beam Angle: 15°

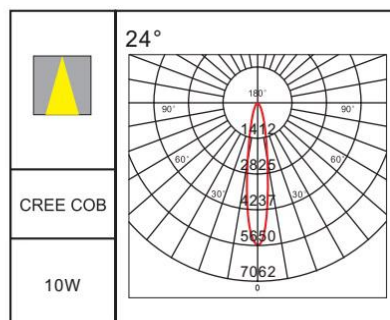
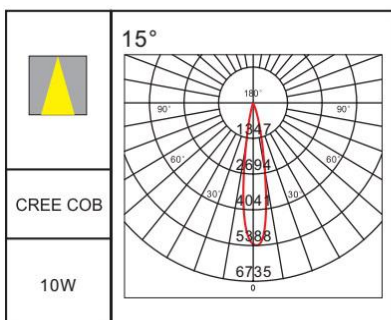


Beam Angle: 24°



Beam Angle: 36°

Technical Data



Code: L01053



Technical description

Recessed fixture with adjustable mounting kit, for indoor use. Provided with a high color rendering LED, CRI > 90. Visual comfort low glare optic with recessed light source. The fixture uses an extremely reliable and advanced technology heat-sink for high efficiency cooler. Fixture provided with quick connector. New conception passive heat-sink without fan, designed for high performances, material is aluminum, copper printed technology, chiseled, holes design provide cross-ventilation cooling in order to ensure a high-efficiency heat-sink as well as assures life span and high quality to LED light.



Applications

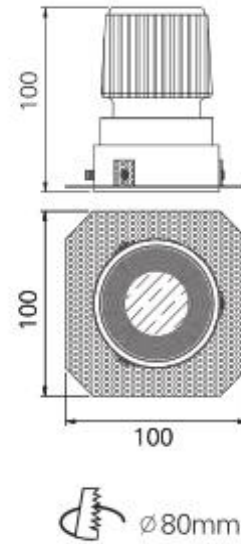
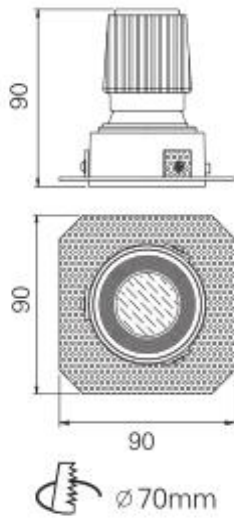
Suitable for general lighting like, for Instance, Home, Public areas, Offices, Hotel, Chain-stores, Jewellery stores, Museums, Restaurant or commercial spaces.

- Europe Standard CE Certificate
- 1200lm
- CRI 90+
- Black,White finishes
- Including LED driver
- High level of visual comfort
- Dimming options: Triac / 0/1-10V / DALI

Installation Ceiling recessed

- Light source :** CREE branded COB LED
- Power input :** 15W
- Lumens :** 1200lm
- CRI :** CRI > 90
- Beam angel :** 15° 24° 36°
- Colour temp :** 3000K, 4000K, 5000K
- Protection :** IP44
- Material:** Die-cast aluminum and thermoplastic
- Finishes:** Black/White
- Weight :** 0.55kgs
- Input Voltage(V):** AC220-240V 50/60Hz
- Warranty:** 5years

Code: L01053



Code	Watt	Lumens	Size(mm)
L01053 -05	5W	425 lm	D90xH90mm
L01053 -07	7W	595 lm	D90xH90mm

Code	Watt	Lumens	Size(mm)
L01053 -10	10W	850 lm	D100xH100mm
L01053 -15	15W	1275 lm	D100xH100mm

Lighting Effects



Beam Angle: 15°

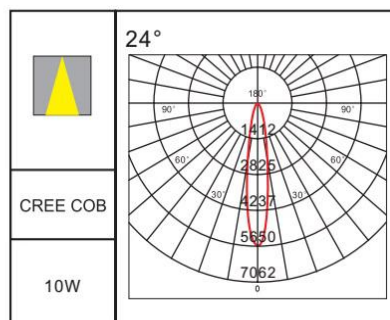
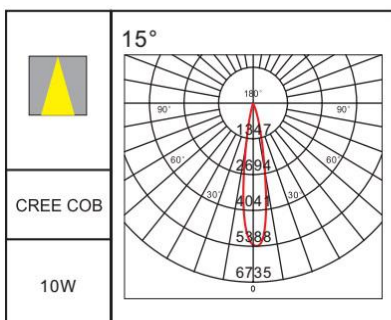


Beam Angle: 24°



Beam Angle: 36°

Technical Data



Code: L01041



Technical description

Recessed fixture with adjustable mounting kit, for indoor use. Provided with a high color rendering LED, CRI > 90. Visual comfort low glare optic with recessed light source. The fixture uses an extremely reliable and advanced technology heat-sink for high efficiency cooler. Fixture provided with quick connector. New conception passive heat-sink without fan, designed for high performances, material is aluminum, copper printed technology, chiseled, holes design provide cross-ventilation cooling in order to ensure a high-efficiency heat-sink as well as assures life span and high quality to LED light.



Applications

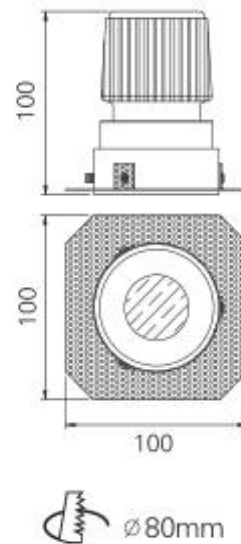
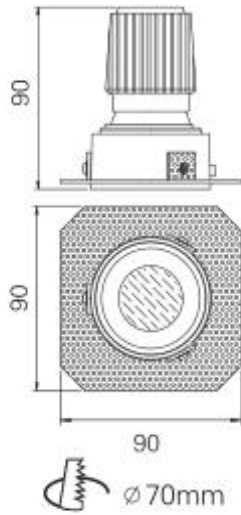
Suitable for general lighting like, for Instance, Home, Public areas, Offices, Hotel, Chain-stores, Jewellery stores, Museums, Restaurant or commercial spaces.

- Europe Standard CE Certificate
- 1320lm
- CRI 90+
- Black,White finishes
- Including LED driver
- High level of visual comfort
- Dimming options: Triac / 0/1-10V / DALI

Installation Ceiling recessed

- Light source :** CREE branded COB LED
- Power input :** 15W
- Lumens :** 1320lm
- CRI :** CRI > 90
- Beam angel :** 15° 24° 36°
- Colour temp :** 3000K, 4000K, 5000K
- Protection :** IP44
- Material:** Die-cast aluminum and thermoplastic
- Finishes:** Black/White
- Weight :** 0.55kgs
- Input Voltage(V):** AC220-240V 50/60Hz
- Warranty:** 5years

Code: L01041



Code	Watt	Lumens	Size(mm)
L01041 -05	5W	425 lm	D90xH90mm
L01041 -07	7W	595 lm	D90xH90mm

Code	Watt	Lumens	Size(mm)
L01041 -10	10W	850 lm	D100xH100mm
L01041 -15	15W	1275 lm	D100xH100mm

Lighting Effects



Beam Angle: 15°

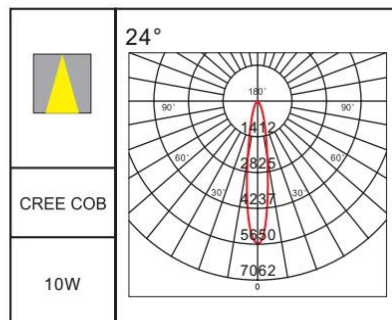
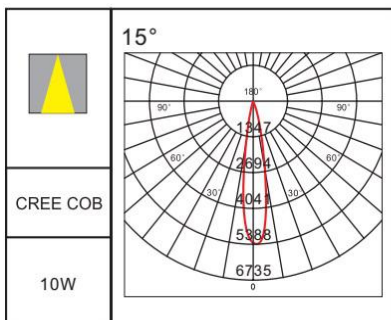


Beam Angle: 24°



Beam Angle: 36°

Technical Data





Code: L06084

Technical description

Recessed fixed downlight for indoor use. Provided with a high color rendering LED, CRI > 90. Visual comfort low glare optic with special lens and the recessed light source. The fixture uses die-casting heat-sink for high efficiency cooler. New heat-sink, designed for high performances, material is aluminum, chiseled. High-efficiency heat-sink ensure the high quality to LED light. Fixture provided with quick connector. 5years warranty.



Applications

Suitable for general lighting like, for Instance, Home, Public areas, Offices, Hotel, Chain-stores, Jewellery stores, Restaurant or commercial spaces.

- Europe Standard CE Certificate
- Cut out : 75mm or 85mm
- CRI 90+
- Black,White finishes
- Including LED driver
- High level of visual comfort
- Fixed model
- Dimming options: Triac / 0/1-10V / DALI

Installation Ceiling recessed

Light source : CREE branded COB LED

Power input : 7W-20W

Specification : D85 x H48mm

Cut out : 75mm or 85mm

Lumens : 105lm/W

CRI : CRI > 90

Beam angel : 15° 24° 36°

Colour temp : 3000K, 4000K, 5000K

Protection : IP44

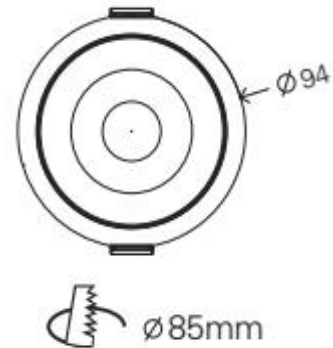
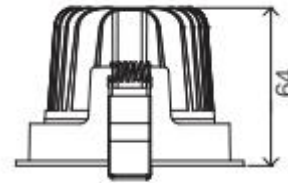
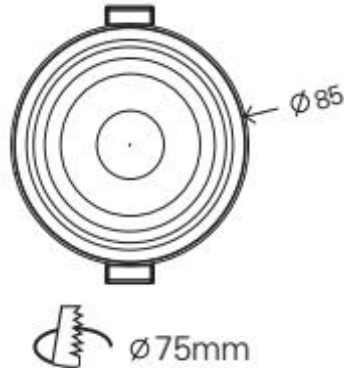
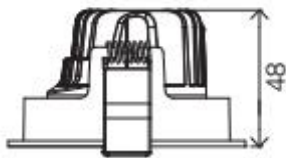
Material: Die-cast aluminum and thermoplastic

Finishes: Black/White

Weight : 0.21kgs

Input Voltage(V): AC220-240V 50/60Hz

Code: L06084



Code	Watt	Lumens	Size(mm)
L06084 -07	7W	735 lm	D85xH48mm
L06084 -10	10W	1050 lm	D85xH48mm

Code	Watt	Lumens	Size(mm)
L06084 -15	15W	1515 lm	D94xH64mm
L06084 -20	20W	2060 lm	D94xH64mm

Lighting Effects



Beam Angle: 15°



Beam Angle: 24°

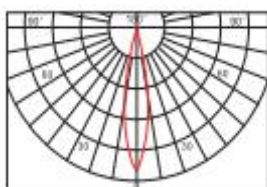


Beam Angle: 36°

Technical Data

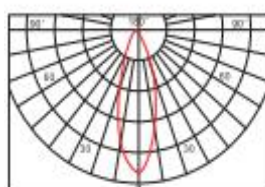
LED COB 15°

Power 7W
 CCT 2700 K
 CRI > 80



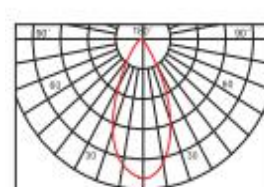
LED COB 24°

Power 7W
 CCT 2700 K
 CRI > 80



LED COB 36°

Power 7W
 CCT 2700 K
 CRI > 80





Code: L06083

Technical description

Recessed adjustable downlight for indoor use. Provided with a high color rendering LED, CRI > 90. Visual comfort low glare optic with recessed light source. The fixture uses die-casting heat-sink for high efficiency cooler. Fixture provided with quick connector. New conception passive heat-sink without fan, designed for high performances, material is aluminum, chiseled. High-efficiency heat-sink ensure the high quality to LED light. Lighting fixture is Max.30° adjustable, and 360° rotation. 5years warranty.

Applications

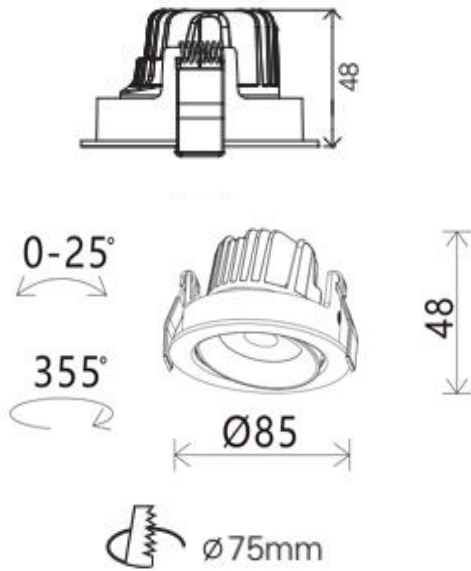
Suitable for general lighting like, for Instance, Home, Public areas, Offices, Hotel, Chain-stores, Jewellery stores, Museums, Restaurant or commercial spaces.



- Europe Standard CE Certificate
- Cut out : 75mm
- CRI 90+
- Black,White finishes
- Including LED driver
- High level of visual comfort
- 30° adjustable + 360° rotation
- Dimming options: Triac / 0/1-10V / DALI

Installation	Ceiling recessed
Light source :	CREE branded COB LED
Power input :	7W - 10W
Cut out :	75mm
Lumens :	105lm/W
CRI :	CRI > 90
Beam angel :	15° 24° 36°
Colour temp :	3000K, 4000K, 5000K
Protection :	IP44
Material:	Die-cast aluminum and thermoplastic
Finishes:	Black/White
Weight :	0.23kgs
Input Voltage(V):	AC220-240V 50/60Hz
Warranty:	5years

Code: L06083



Code	Watt	Lumens	Size(mm)
------	------	--------	----------

L06083 -07	7W	763 lm	D85xH48mm
L06083 -10	10W	1030 lm	D85xH48mm

Lighting Effects



Beam Angle: 15°

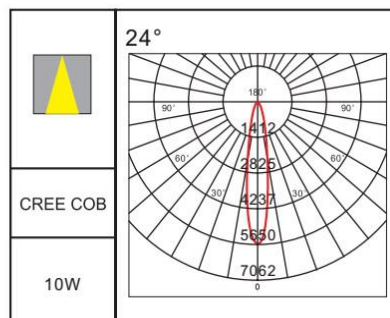
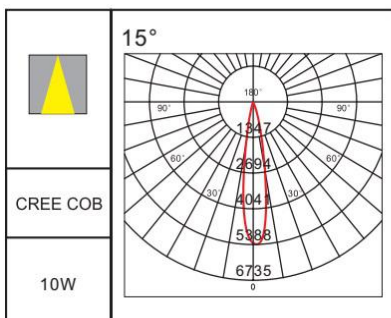


Beam Angle: 24°



Beam Angle: 36°

Technical Data





Code: L06086

Technical description

Recessed spotlight for indoor use.
 Provided with a high color rendering LED, CRI > 90.
 Visual comfort low glare optic with special lens and the deeply recessed light source.
 The fixture uses die-casting heat-sink for high efficiency cooler.
 New heat-sink, designed for high performances, material is aluminum, chiseled. High-efficiency heat-sink ensure the high quality to LED light.
 Fixture provided with quick connector.
 5years warranty.



Applications

Suitable for general lighting like, for Instance, Home, Public areas, Offices, Hotel, Chain-stores, Jewellery stores, Restaurant or commercial spaces.

- Europe Standard CE Certificate
- Cut hole: 75mm
- CRI 90+
- Black,White finishes
- Including LED driver
- High level of visual comfort
- Deeply recessed spotlight
- Dimming options: Triac / 0/1-10V / DALI

Installation Ceiling recessed

Light source : CREE branded COB LED

Power input : 7W - 10W

Specification : D85 x H60mm

Cut out : 75mm

Lumens : 88lm/W

CRI : CRI > 90

Beam angel : 15° 24° 36°

Colour temp : 3000K, 4000K, 5000K

Protection : IP44

Material: Die-cast aluminum and thermoplastic

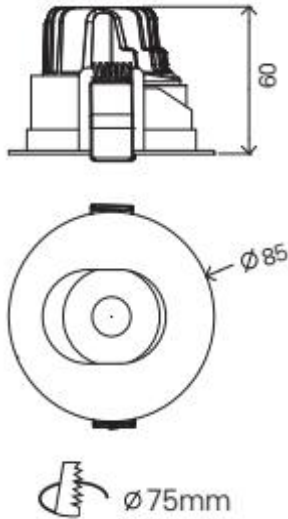
Finishes: Black/White

Weight : 0.21kgs

Input Voltage(V): AC220-240V 50/60Hz

Power Supply : DC36V 250mA

Code: L06086



Code	Watt	Lumens	Size(mm)	Code	Watt	Lumens	Size(mm)
L06086 -07	7W	616 lm	D85 x H60mm	L06086 -10	10W	880 lm	D85 x H60mm

Lighting Effects



Beam Angle: 15°



Beam Angle: 24°

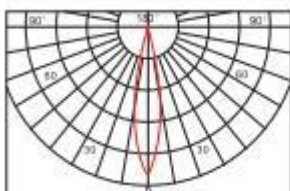


Beam Angle: 36°

Technical Data

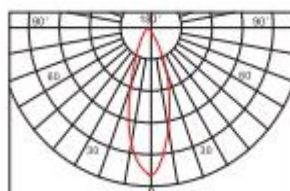
LED COB 15°

Power 10W
 CCT 2700 K
 CRI > 80



LED COB 24°

Power 10W
 CCT 2700 K
 CRI > 80



LED COB 36°

Power 10W
 CCT 2700 K
 CRI > 80





Code: L06087

Technical description

Recessed adjustable wall washer downlight for indoor use. Provided with a high color rendering LED, CRI > 90. Visual comfort low glare optic with special lens and the deeply recessed light source. The fixture uses die-casting heat-sink for high efficiency cooler. New heat-sink, designed for high performances, material is aluminum, chiseled. High-efficiency heat-sink ensure the high quality to LED light. Fixture provided with quick connector. 5years warranty.



Applications

Suitable for general lighting like, for Instance, Home, Public areas, Offices, Hotel, Chain-stores, Jewellery stores, Restaurant or commercial spaces.

- Europe Standard CE Certificate
- Cut hole: 75mm
- CRI 90+
- Black,White finishes
- Including LED driver
- High level of visual comfort
- Adjustable wall washer
- Dimming options: Triac / 0/1-10V / DALI

Installation Ceiling recessed

Light source : CREE branded COB LED

Power input : 7W - 10W

Specification : D85 x H60mm

Cut out : 75mm

Lumens : 88lm/W

CRI : CRI > 90

Beam angel : 15° 24° 36°

Colour temp : 3000K, 4000K, 5000K

Protection : IP44

Material: Die-cast aluminum and thermoplastic

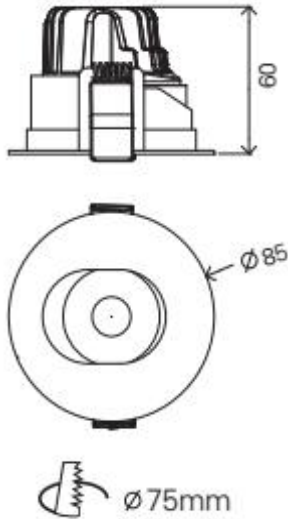
Finishes: Black/White

Weight : 0.21kgs

Input Voltage(V): AC220-240V 50/60Hz

Power Supply : DC36V 250mA

Code: L06087



Code	Watt	Lumens	Size(mm)	Code	Watt	Lumens	Size(mm)
L06087 -07	7W	616 lm	D85 x H60mm	L06087 -10	10W	880 lm	D85 x H60mm

Lighting Effects



Beam Angle: 15°



Beam Angle: 24°

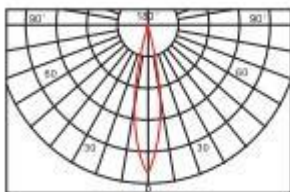


Beam Angle: 36°

Technical Data

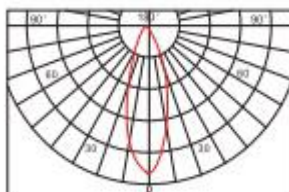
LED COB 15°

Power 10W
 CCT 2700 K
 CRI > 80



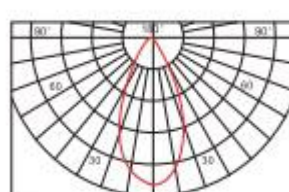
LED COB 24°

Power 10W
 CCT 2700 K
 CRI > 80



LED COB 36°

Power 10W
 CCT 2700 K
 CRI > 80





Code: L05068

Technical description

Recessed fixed downlight for indoor use.
 Provided with a high color rendering LED, CRI > 90.
 Visual comfort low glare optic with special lens and the deeply recessed light source.
 The fixture uses die-casting heat-sink for high efficiency cooler.
 New heat-sink, designed for high performances, material is aluminum, chiseled. High-efficiency heat-sink ensure the high quality to LED light.
 Fixture provided with quick connector.
 5years warranty.



Applications

Suitable for general lighting like, for Instance, Home, Public areas, Offices, Hotel, Chain-stores, Jewellery stores, Restaurant or commercial spaces.

- Europe Standard CE Certificate
- Cut hole: 75mm
- CRI 90+
- Black,White finishes
- Including LED driver
- High level of visual comfort
- Fixed model
- Dimming options: Triac / 0/1-10V / DALI

Installation Ceiling recessed

Light source : CREE branded COB LED

Power input : 7W - 10W

Specification : D85 x H91mm

Cut out : 75mm

Lumens : 88lm/W

CRI : CRI > 90

Beam angel : 15° 24° 36°

Colour temp : 3000K, 4000K, 5000K

Protection : IP44

Material: Die-cast aluminum and thermoplastic

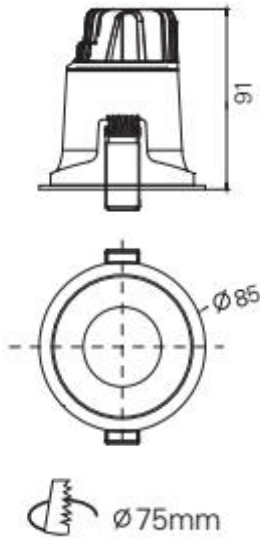
Finishes: Black/White

Weight : 0.21kgs

Input Voltage(V): AC220-240V 50/60Hz

Power Supply : DC36V 250mA

Code: L05068



Code	Watt	Lumens	Size(mm)	Code	Watt	Lumens	Size(mm)
L05068 -07	7W	616 lm	D85 x H91mm	L05068 -10	10W	880 lm	D85 x H91mm

Lighting Effects



Beam Angle: 15°



Beam Angle: 24°

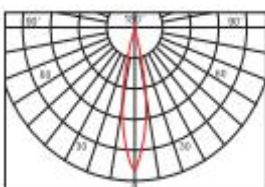


Beam Angle: 36°

Technical Data

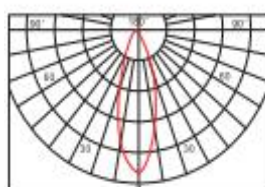
LED COB 15°

Power 7W
 CCT 2700 K
 CRI > 80



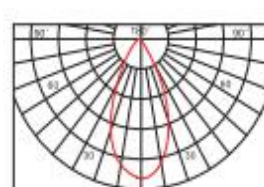
LED COB 24°

Power 7W
 CCT 2700 K
 CRI > 80



LED COB 36°

Power 7W
 CCT 2700 K
 CRI > 80





Code: L11808

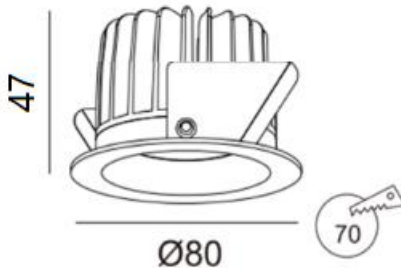
Technical description

Recessed fixed spotlight for indoor use.
 Provided with a high color rendering LED, CRI > 90.
 Visual comfort low glare optic with special lens and the deeply recessed light source.
 The fixture uses die-casting heat-sink for high efficiency cooler.
 New heat-sink, designed for high performances, material is aluminum, chiseled. High-efficiency heat-sink ensure the high quality to LED light.
 Fixture provided with quick connector.
 5years warranty.



Applications

Suitable for general lighting like, for Instance, Home, Public areas, Offices, Hotel, Chain-stores, Jewellery stores, Museums, Restaurant or commercial spaces.



Installation Ceiling recessed

- Europe Standard CE Certificate
- Black,White finishes
- High level of visual comfort
- Dimming options: Triac / 0/1-10V / DALI

Light source : CREE branded COB LED

Power input : 10W

Specification : D80 x H47mm

Cut out : 70mm

Output Lumens : 850lm

CRI : CRI > 80

Beam angel : 24° 36° 60°

Colour temp : 3000K, 4000K, 5000K

Protection : IP44

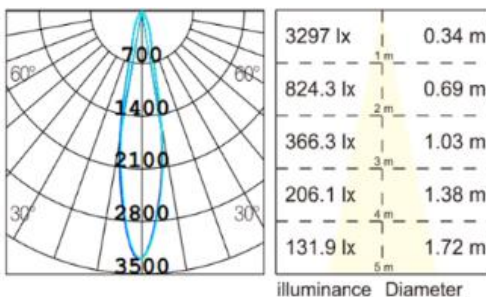
Material: Die-cast aluminum and thermoplastic

Finishes: Black/White

Weight : 0.25kgs

Input Voltage(V): AC220-240V 50/60Hz

Power Supply : DC36V 350mA

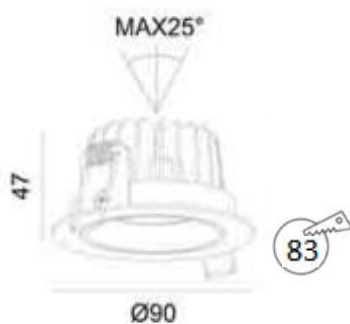




Code: L11810

Technical description

Recessed adjustable downlight for indoor use. Provided with a high color rendering LED, CRI > 90. Visual comfort optic with reflector and recessed light source. The fixture uses die-casting heat-sink for high efficiency cooler. Fixture provided with quick connector. High-efficiency heat-sink ensure the high quality to LED light. Lighting fixture is Max.25° adjustable. 5years warranty.



Applications

Suitable for general lighting like, for Instance, Home, Public areas, Offices, Hotel, Chain-stores, Jewellery stores, Museums, Restaurant or commercial spaces.

Installation Ceiling recessed

Light source : CREE branded COB LED

Power input : 10W

Specification : D90 x H47mm

Cut out : 83mm

Output Lumens : 850lm 3000K

CRI : CRI > 90

Beam angel : 15° 24° 36° 60°

Colour temp : 3000K, 4000K, 5000K

Protection : IP44

Material: Die-cast aluminum and thermoplastic

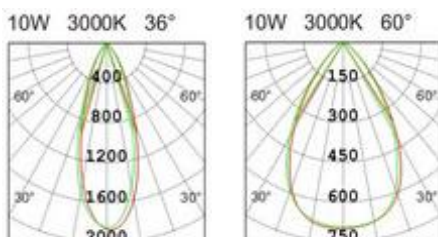
Finishes: Black/White

Weight : 0.25kgs

Input Voltage(V): AC220-240V 50/60Hz

Power Supply : DC36V 350mA

- Europe Standard CE Certificate
- Black,White finishes
- High level of visual comfort
- Dimming options: Triac / 0/1-10V / DALI
- Adjustable model

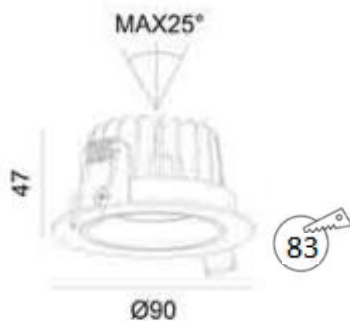




Code: L11809

Technical description

Recessed adjustable downlight for indoor use. Provided with a high color rendering LED, CRI > 90. Visual comfort low glare optic with recessed light source. The fixture uses die-casting heat-sink for high efficiency cooler. Fixture provided with quick connector. High-efficiency heat-sink ensure the high quality to LED light. Lighting fixture is Max.35° adjustable. 5years warranty.



- Europe Standard CE Certificate
- Black,White finishes
- High level of visual comfort
- Dimming options: Triac / 0/1-10V / DALI
- Adjustable model

Applications

Suitable for general lighting like, for Instance, Home, Public areas, Offices, Hotel, Chain-stores, Jewellery stores, Museums, Restaurant or commercial spaces.

Installation Ceiling recessed

Light source : CREE branded COB LED

Power input : 10W

Specification : D90 x H47mm

Cut out : 83mm

Output Lumens : 900lm 3000K

CRI : CRI > 90

Beam angel : 24° 36° 60°

Colour temp : 3000K, 4000K, 5000K

Protection : IP44

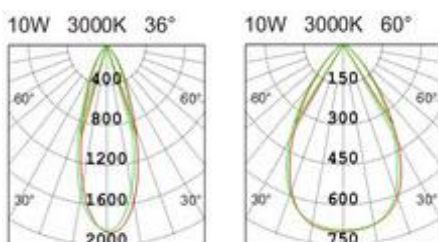
Material: Die-cast aluminum and thermoplastic

Finishes: Black/White

Weight : 0.25kgs

Input Voltage(V): AC220-240V 50/60Hz

Power Supply : DC36V 350mA





Code: L11807

Technical description

Recessed fixed spotlight for indoor use.
 Provided with a high color rendering LED, CRI > 90.
 Visual comfort low glare optic with special lens and the deeply recessed light source.
 The fixture uses die-casting heat-sink for high efficiency cooler.
 New heat-sink, designed for high performances, material is aluminum, chiseled. High-efficiency heat-sink ensure the high quality to LED light.
 Fixture provided with quick connector.
 5years warranty.



Applications

Suitable for general lighting like, for Instance, Home, Public areas, Offices, Hotel, Chain-stores, Jewellery stores, Museums, Restaurant or commercial spaces.



Installation Ceiling recessed

Light source : CREE branded COB LED

Power input : 7W

Specification : D70 x H48.5mm

Cut out : 60mm

Output Lumens : 695lm

CRI : CRI > 90

Beam angel : 24° 36° 60°

Colour temp : 3000K, 4000K, 5000K

Protection : IP44

Material: Die-cast aluminum and thermoplastic

Finishes: Black/White

Weight : 0.12kgs

Input Voltage(V): AC220-240V 50/60Hz

Power Supply : DC36V 250mA

- Europe Standard CE Certificate
- Cut out : 60mm
- CRI 90+
- Black,White finishes
- Including LED driver
- High level of visual comfort
- Deeply recessed spotlight
- Dimming options: Triac / 0/1-10V / DALI



Code: L11811

Technical description

Recessed adjustable downlight for indoor use. Provided with a high color rendering LED, CRI > 90. Visual comfort optic with reflector and recessed light source. The fixture uses die-casting heat-sink for high efficiency cooler. Fixture provided with quick connector. High-efficiency heat-sink ensure the high quality to LED light. Lighting fixture is Max.25° adjustable. 5years warranty.



- Europe Standard CE Certificate
- Black,White finishes
- High level of visual comfort
- Dimming options: Triac / 0/1-10V / DALI
- Adjustable model

Applications

Suitable for general lighting like, for Instance, Home, Public areas, Offices, Hotel, Chain-stores, Jewellery stores, Museums, Restaurant or commercial spaces.

Installation Ceiling recessed

Light source : CREE branded COB LED

Power input : 10W

Specification : D90 x H77mm

Cut out : 83mm

Output Lumens : 830lm 3000K

CRI : CRI > 90

Beam angel : 24° 36° 60°

Colour temp : 3000K, 4000K, 5000K

Protection : IP44

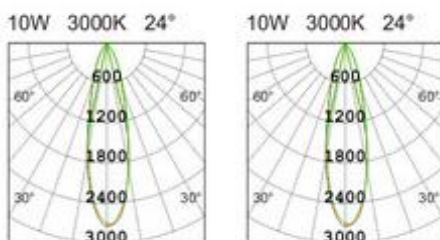
Material: Die-cast aluminum and thermoplastic

Finishes: Black/White

Weight : 0.27kgs

Input Voltage(V): AC220-240V 50/60Hz

Power Supply : DC36V 350mA





Code: L11812

Technical description

Recessed SMD downlight for indoor use.
 Visual comfort low glare optic with recessed light source.
 The fixture uses die-casting heat-sink for high efficiency cooler.
 Fixture provided with quick connector.
 The heat-sink designed for high performances, material is aluminum, chiseled.
 Lighting fixture is fixed.



- Europe Standard CE Certificate
- 3" 4" 6" 8"
- Black, White finishes

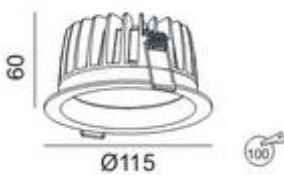
Applications

Suitable for Instance, Home, Public areas, Offices, Hotel, Chain-stores, Jewellery stores, Museums, Restaurant or commercial spaces.

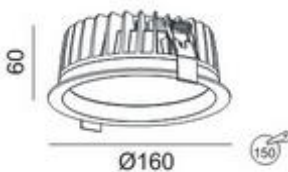
Installation Ceiling recessed



Code	Watt	Lumens	Size(mm)	Cutout(mm)	Optics
L11812 -07	7W	350 lm	D90xH44mm	75mm	90°



Code	Watt	Lumens	Size(mm)	Cutout(mm)	Optics
L11812 -15	15W	830 lm	D115xH60mm	100mm	90°



Code	Watt	Lumens	Size(mm)	Cutout(mm)	Optics
L11812 -15	15W	1214 lm	D160xH60mm	150mm	100°
L11812 -25	25W	1870 lm	D160xH60mm	150mm	100°



Code	Watt	Lumens	Size(mm)	Cutout(mm)	Optics
L11812 -35	35W	3300 lm	D220xH66mm	200mm	105°
L11812 -43	43W	3450 lm	D220xH66mm	200mm	95°